

A/AH ATTENUATORS

SMA

up to 23 GHz
2 Watts



MODELS: A, AH

SPECIFICATIONS:

Electrical:

Frequency Range _____ DC - 23.0 GHz
 Standard Freq. Values _____ 2.5, 4, 6, 12.4, 18 & 23 GHz
 Standard dB Values* _____ 0 - 10, 12, 15, 20 & 30 dB
In 1 dB Increments
 Attenuation Accuracy _____ DC - 18 GHz _____ 18 - 23 GHz
 0 - 6 dB _____ ±0.3 dB _____ ±0.4 dB
 7 - 20 dB _____ ±0.5 dB _____ ±0.6 dB
 21 - 30 dB _____ ±0.75 dB _____ ±0.8 dB

VSWR

DC - 4 GHz _____ 1.15:1 Max.
 4 - 8 GHz _____ 1.20:1 Max.
 8 - 12.4 GHz _____ 1.25:1 Max.
 12.4 - 18 GHz _____ 1.35:1 Max.
 18 - 23 GHz _____ 1.40:1 Max.

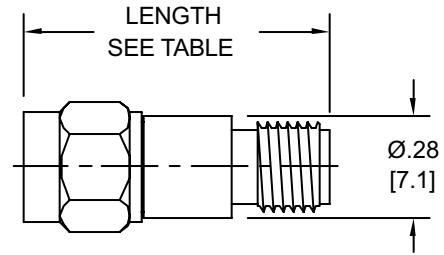
Input Power _____ 2 Watts Avg. @ 25°C
DERATED LINEARLY TO 0.5 WATTS @ +125°C

Peak Power _____ 250 Watts Max.
(5µSec Pulse, .05% Duty Cycle)

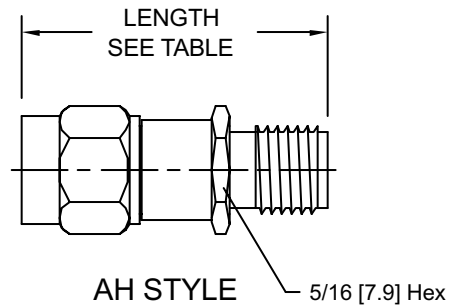
Impedance _____ 50 Ohms
 Operating Temp Range _____ -65°C to +125°C

Mechanical:

SMA Connectors _____ Passivated Stainless Steel
 Mates with MIL-STD-348
 Conductors _____ Gold Plated Beryllium Copper



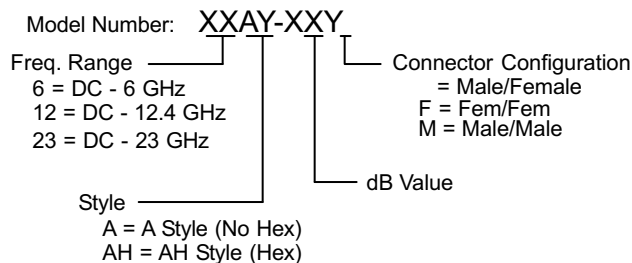
A STYLE



AH STYLE

Connector Configuration	LENGTH			
	0 - 12 dB		13 - 30 dB	
	Inches	Millimeters	Inches	Millimeters
Male/Female	.86 ±.03	[21.8 ±0.8]	.99 ±.03	[25.1 ±0.8]
Male/Male	.98 ±.03	[24.9 ±0.8]	1.11 ±.03	[28.2 ±0.8]
Female/Female	.87 ±.03	[22.1 ±0.8]	1.00 ±.03	[25.4 ±0.8]

HOW TO ORDER:



Ordering Examples:

Model Number: **18A-20**
 DC - 18 GHz; 20 dB; SMA - Male/Fem; Style A

Model Number: **12AH-6F**
 DC - 12.4 GHz; 6 dB; SMA - Fem/Fem; Style AH

Model Number: **6AH-3M**
 DC - 6 GHz; 3 dB; SMA - Male/Male; Style AH

Model Number: **23A-30**
 DC - 23 GHz; 30 dB; SMA - Male/Fem; Style A

Note: Dimensions in Brackets are Expressed in Millimeters and are for Reference Only.
 *Other dB values, units that operate over a more specific frequency band and/or offer very low return loss (VSWR); gold plated units and/or connectors optimized for RF leakage also available.

23A-ATT; REV K